

**B** = Lipo 3S/4S

**#** = PWM/SIGNAL

**G** = GND

**3T** = UART 3 TX (s.port telemetry)

**2R** = UART 2 RX (SBUS)

**ESC** = ESC POWER

**3R** = UART 3 RX (for OSD)

**V** = + 5V Lipo or USB

**PP** = PPM IN

**V** = +5V Lipo Only

**S** = Switched GND for BUZZER

**B+** = BATT + (LIPO)

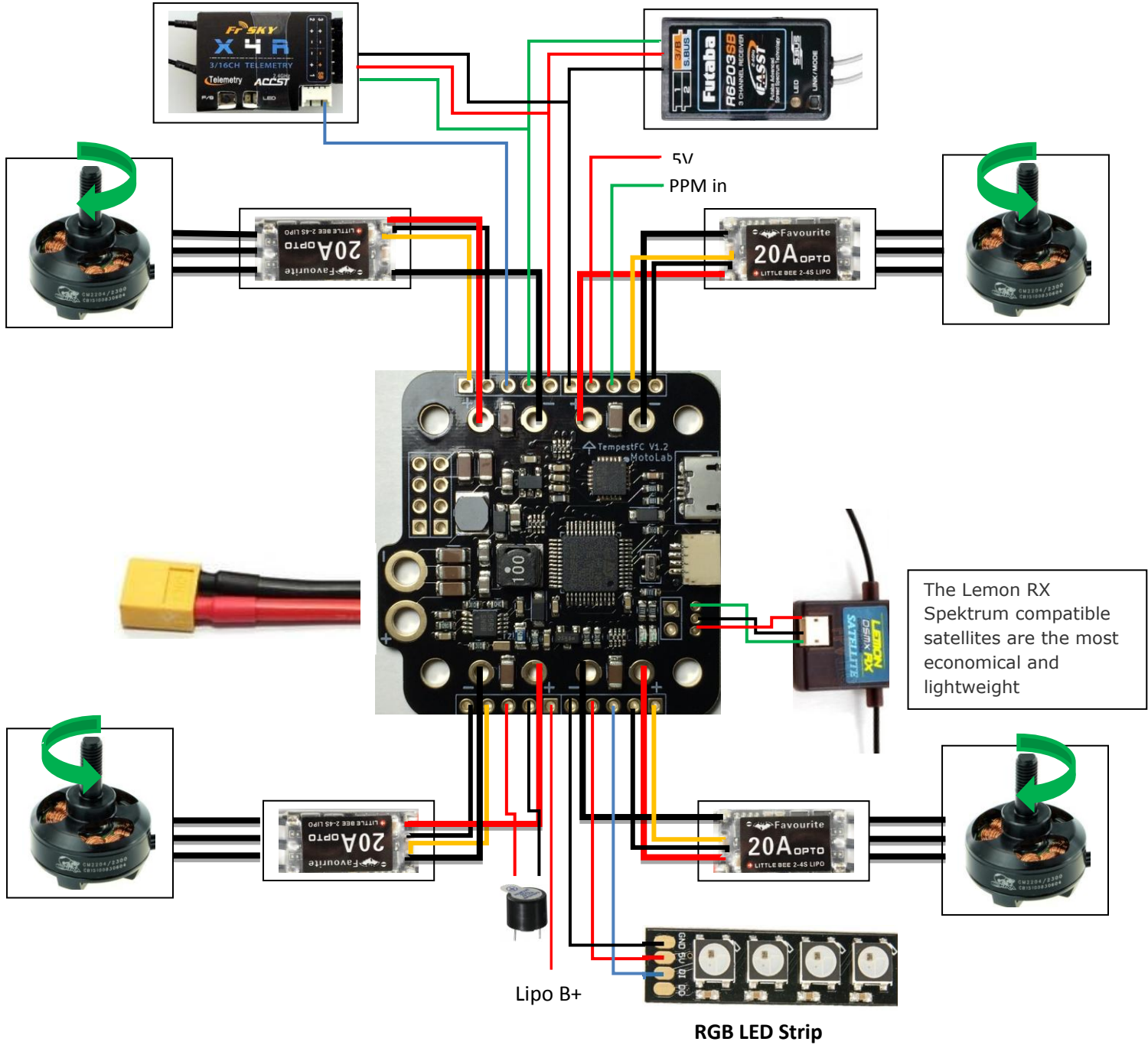
**S** = SLED (serial LED)

**LC** = LC filtered BATT+ for VTX

**3T** = UART 3 TX (for OSD)

# MotoLab Tempest V1.3 Wires Diagram

Telemetry (option)



The Lemon RX Spektrum compatible satellites are the most economical and lightweight

RGB LED Strip