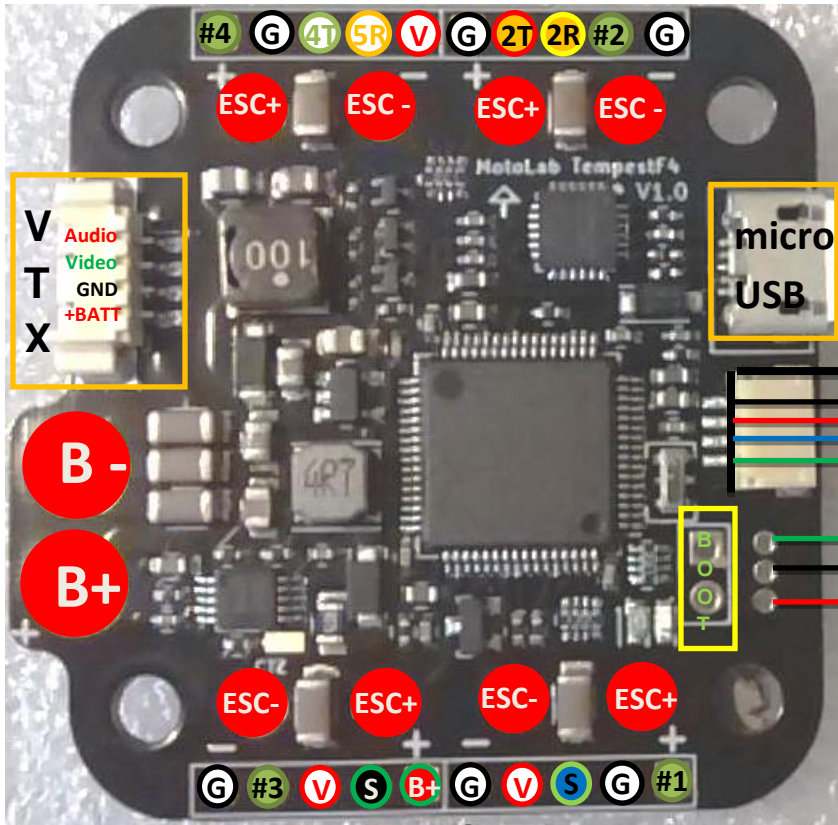


# MOTOLAB TempestF4 Flight Controller



Top Side

UART 1  
GND  
+5V  
Rx IN  
Tx OUT

Signal  
GND  
3v3  
Spektrum Satellite Receiver Setup

**B+** = Lipo 3S/4S

**V** = + 5V

**G** = GND

**4T** = UART 4 TX (s.port telemetry)

**5R** = UART 5 RX (SBUS)

**ESC** = ESC POWER

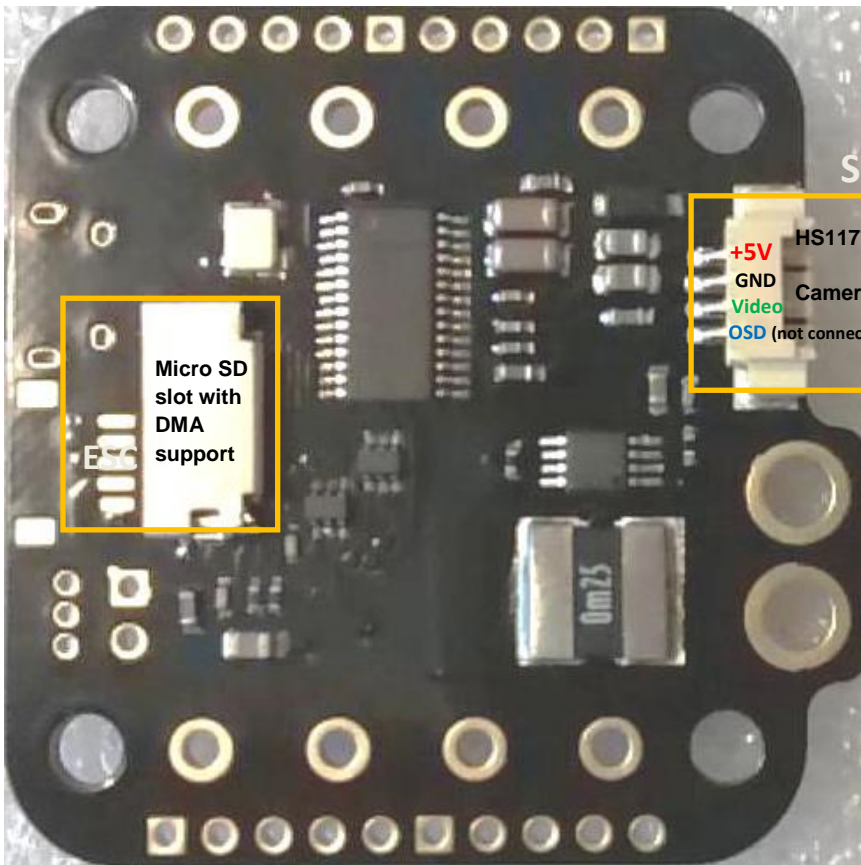
**2R** = UART 2 RX

**2T** = UART 2 TX

**S** = Switched GND for BUZZER

**S** = SLED (serial LED)

**B+** = BATT + (LIPO)



Bottom Side

Micro SD  
slot with  
DMA  
support

+5V HS1177  
GND  
Video  
OSD (not connect)